

A

B

C

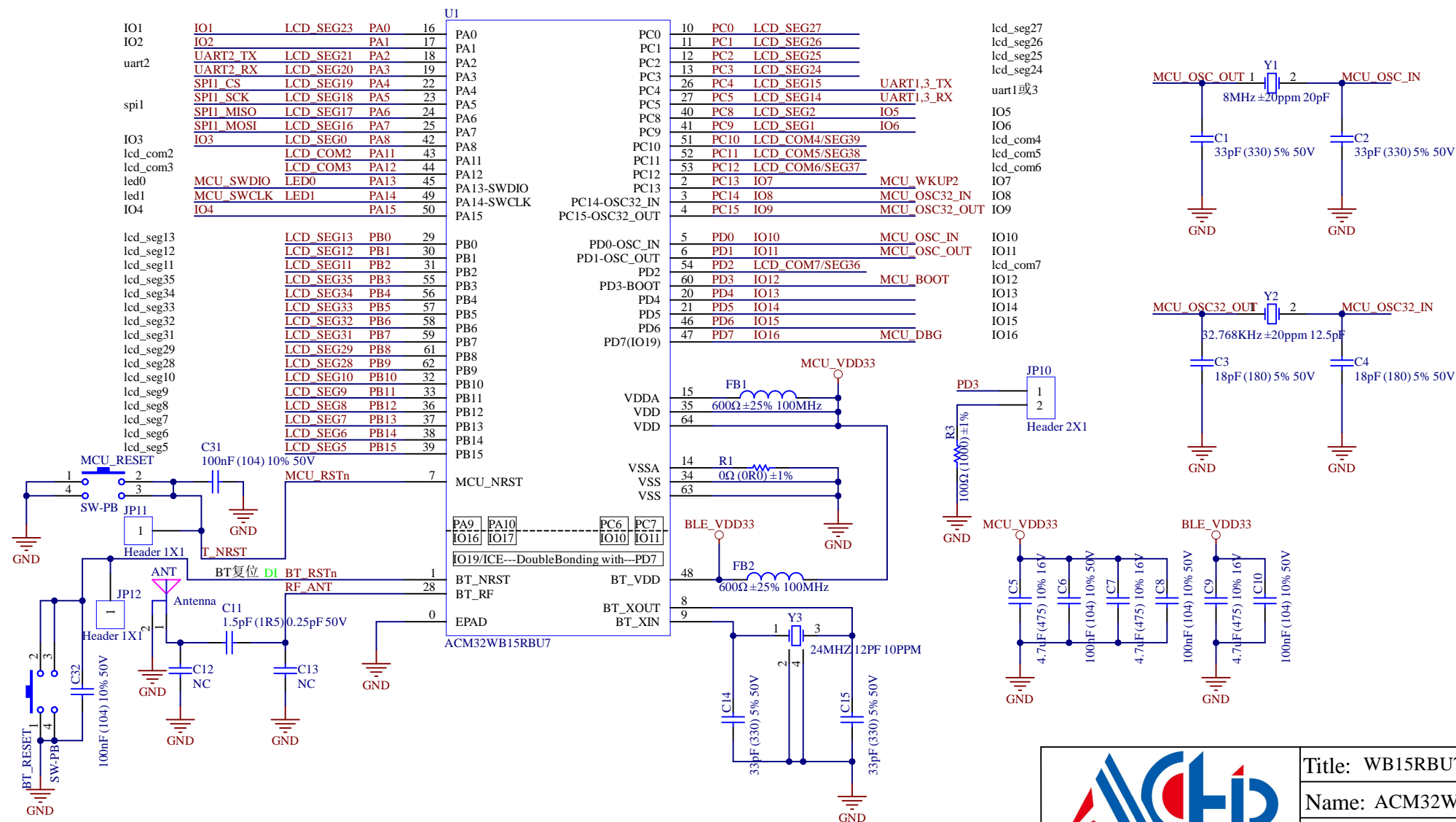
D


A

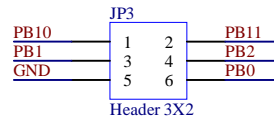
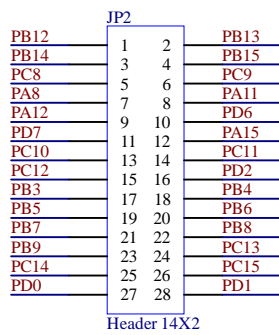
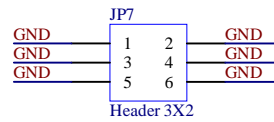
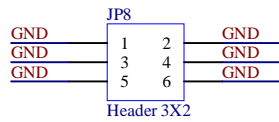
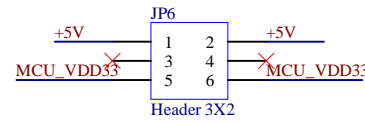
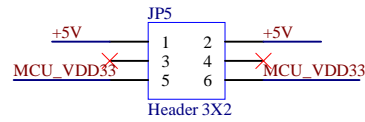
B

C

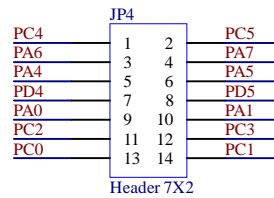
D




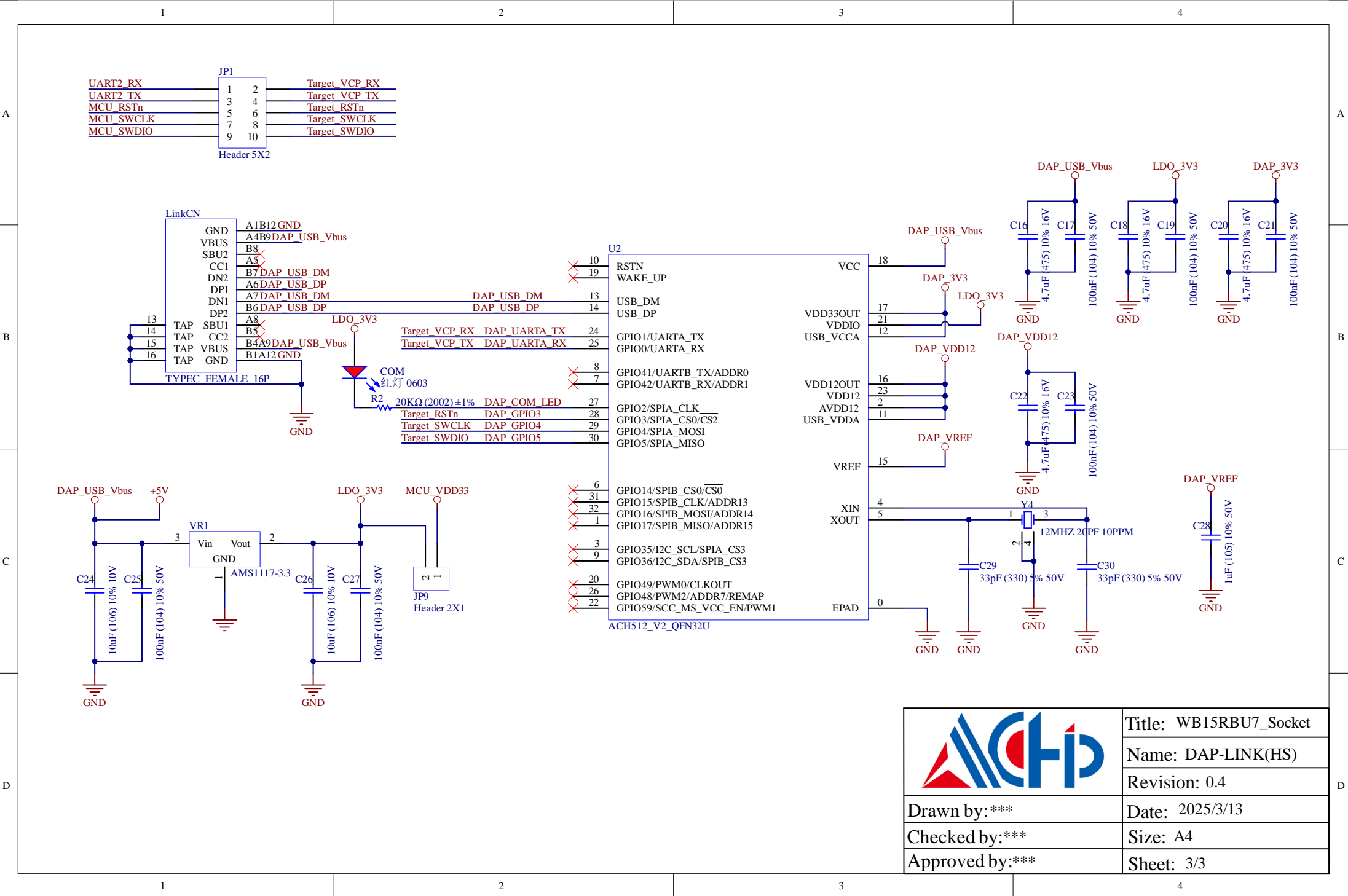
	Title: WB15RBU7_Socket
	Name: ACM32WB15RBU7
Revision: 0.4	
Drawn by: ***	Date: 2025/3/13
Checked by: ***	Size: A4
Approved by: ***	Sheet: 1/3




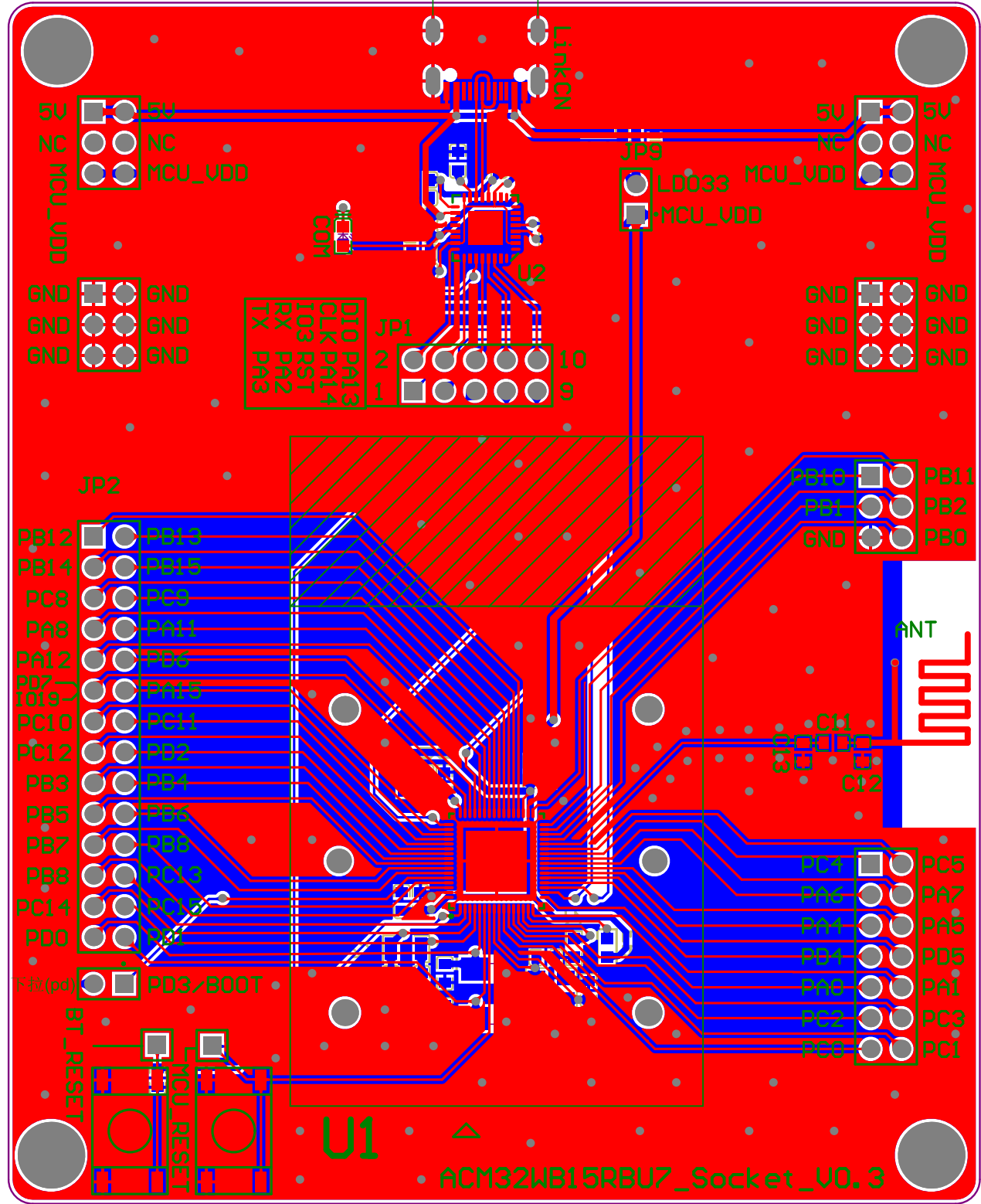
### Antenna



	Title: WB15RBU7_Socket
	Name: CON
	Revision: 0.4
Drawn by: ***	Date: 2025/3/13
Checked by: ***	Size: A4
Approved by: ***	Sheet: 2/3



	Title: WB15RBU7_Socket
	Name: DAP-LINK(HS)
	Revision: 0.4
Drawn by: ***	Date: 2025/3/13
Checked by: ***	Size: A4
Approved by: ***	Sheet: 3/3



ACM32WB15RBU7\_Socket\_U0.3

Comment	ComponentLink1 URL	Description	Designator	Footprint	LibRef	Pins	Quantity	SuppliersPartNumber
Antenna		Antenna 2pin gnd and Antenna	ANT	ANTPCB2E(YC1323)	Antenna-2PIN		2	1
SW -PB		Switch	BT_RESET, MCU_RESET	SW-PB-SMD(6x6)	SW-PB		4	2
33pF (330) 5% 50V	<a href="http://www.szlcs.com/product/details_2015.html">http://www.szlcs.com/product/details_2015.html</a>	贴片电容	C1, C2, C14, C15, C29, C30	0603_C	0603 33pF (330) 5% 50V		2	6 C1663
18pF (180) 5% 50V	<a href="http://www.szlcs.com/product/details_1999.html">http://www.szlcs.com/product/details_1999.html</a>	贴片电容	C3, C4	0603_C	0603 18pF (180) 5% 50V		2	2 C1647
4.7uF (475) 10% 16V	<a href="http://www.szlcs.com/product/details_20375.html">http://www.szlcs.com/product/details_20375.html</a>	贴片电容	C5, C7, C9, C16, C18, C20, C22	0603_C	0603 4.7uF (475) 10% 16V		2	7 C19666
100nF (104) 10% 50V	<a href="http://www.szlcs.com/product/details_15331.html">http://www.szlcs.com/product/details_15331.html</a>	贴片电容	C6, C8, C10, C17, C19, C21, C23, C25, C27, C31, C32	0603_C	0603 100nF (104) 10% 50V		2	11 C14663
1.5pF (1R5) 0.25pF 50V	<a href="http://www.szlcs.com/product/details_1991.html">http://www.szlcs.com/product/details_1991.html</a>	贴片电容	C11	0603_C	0603 1.5pF (1R5) 0.25pF 50V		2	1 C1639
NC	<a href="http://www.szlcs.com/product/details_1991.html">http://www.szlcs.com/product/details_1991.html</a>	贴片电容	C12, C13	0603_C	0603 1.5pF (1R5) 0.25pF 50V		2	2 C1639
10uF (106) 10% 10V	<a href="http://www.szlcs.com/product/details_20411.html">http://www.szlcs.com/product/details_20411.html</a>	贴片电容	C24, C26	0603_C	0603 10uF (106) 10% 10V		2	2 C19702
1uF (105) 10% 50V	<a href="http://www.szlcs.com/product/details_16531.html">http://www.szlcs.com/product/details_16531.html</a>	贴片电容	C28	0603_C	0603 1uF (105) 10% 50V		2	1 C15849
红灯 0603	<a href="http://www.szlcs.com/product/details_2659.html">http://www.szlcs.com/product/details_2659.html</a>	发光二极管	COM	0603_LED_S1	0603 红灯		2	1 C2286
600Ω ±25% 100MHz	<a href="http://www.szlcs.com/product/details_1354.html">http://www.szlcs.com/product/details_1354.html</a>	贴片磁珠	FB1, FB2	0603_L	0603 600Ω 25% 100MHz		2	2 C1002
Header 5X2		Header, 10-Pin, Dual row	JP1	HDR2X5	Header 5X2		10	1
Header 14X2		Header, 28-Pin, Dual row	JP2	HDR2X14	Header 14X2		28	1
Header 3X2		Header, 6-Pin, Dual row	JP3, JP5, JP6, JP7, JP8	HDR2X3	Header 3X2		6	5
Header 7X2		Header, 14-Pin, Dual row	JP4	HDR2X7	Header 7X2		14	1
Header 2X1		Header, 2-Pin, Single row	JP9, JP10	HDR1X2	Header 2X1		2	2
Header 1X1		Header, 1-Pin, Single row	JP11, JP12	HDR1X1	Header 1X1		1	2
TYPE C_FEMALE_16P		Type C Female	LinkCN	TYPE C-FEMALE-16P	USB_TYPE C_FEMALE_16P		16	1
0Ω (0R0) ±1%	<a href="http://www.szlcs.com/product/details_21903.html">http://www.szlcs.com/product/details_21903.html</a>	贴片电阻	R1	0603_R	0603 0Ω (0R0) 1%		2	1 C21189
20KΩ (2002) ±1%	<a href="http://www.szlcs.com/product/details_4591.html">http://www.szlcs.com/product/details_4591.html</a>	贴片电阻	R2	0603_R	0603 20KΩ (2002) 1%		2	1 C4184
100Ω (1000) ±1%	<a href="http://www.szlcs.com/product/details_23502.html">http://www.szlcs.com/product/details_23502.html</a>	贴片电阻	R3	0603_R	0603 100Ω (1000) 1%		2	1 C22775
ACM32WB15RB U7			U1	QFN-64_8X8/P.4	ACM32WB15RB U7		65	1
ACH512_V2_OFN 32U		ACH512_V2_OFN 32U	U2	QFN 5X5-32/P.5	ACH512_V2_OFN 32U		33	1
AMS1117-3.3	<a href="http://www.szlcs.com/product/details_6652.html">http://www.szlcs.com/product/details_6652.html</a>	低压差线性稳压 (LDO)	VR1	SOT-223	SOT-223 AMS1117-3.3		3	1 C6186
8MHz ±20ppm 20pF	<a href="http://www.szlcs.com/product/details_117214.html">http://www.szlcs.com/product/details_117214.html</a>	贴片晶振	Y1	SMD-5032_2P	SMD-5032_2P 8MHz 20ppm 20pF		2	1 C115962
32.768KHz ±20ppm 12.5pF	<a href="http://www.szlcs.com/product/details_33310.html">http://www.szlcs.com/product/details_33310.html</a>	贴片晶振	Y2	SMD-3215_2P FC - 135	SMD-3215_2P 32.768KHz 20ppm 12.5pF		2	1 C32346
24MHZ 12PF 10PPM	<a href="http://www.szlcs.com/product/details_9522.html">http://www.szlcs.com/product/details_9522.html</a>	贴片晶振	Y3	SMD-3225_4P	SMD-3225_4P 12MHZ 20PF 10PPM		4	1 C9002
12MHZ 20PF 10PPM	<a href="http://www.szlcs.com/product/details_9522.html">http://www.szlcs.com/product/details_9522.html</a>	贴片晶振	Y4	SMD-3225_4P	SMD-3225_4P 12MHZ 20PF 10PPM		4	1 C9002